



RAZORBACK

FEATURES

- Capable of 8229,21 N of clamp force
- Compact size ideal for mounting inside the wheel
- Square seal piston retraction for constant running clearance
- Floating housing design for mounting ease and flexibility
- Long-lasting quick change brake pads

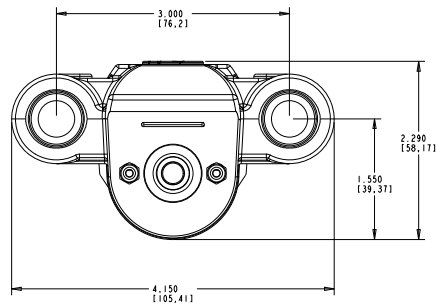


SPECIFICATIONS

Rotor Diameter	152,4 mm - 254 mm
Rotor Thickness	3,99 mm - 6,35 mm
Lining Type	Sintered, Non-Asbestos Organic, Semi-Metallic
Piston Diameter	31,75 mm
Max Pressure	103,42 bar
Fluid Type	Brake Fluid
Bleeder	3:00, 9:00
Fluid Inlet	0

Specifications are guidelines only and subject to change. Consult Hayes Performance Systems for specific model, part number, and assembly drawings -contact@hbpsi.com.

REFERENCE DIMENSIONS



TORQUE INFORMATION

