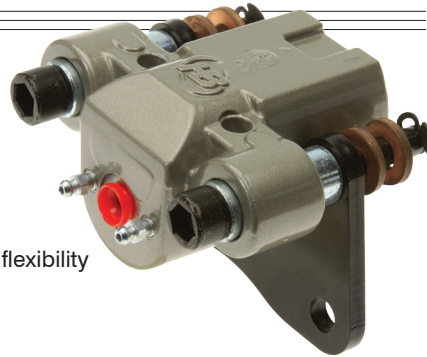


RAZORBACK



FEATURES

- // Capable of 1850 lbs. of clamp force
- // Compact size ideal for mounting inside the wheel
- // Square seal piston retraction for constant running clearance
- // Floating housing design for mounting ease and flexibility
- // Long-lasting quick change brake pads

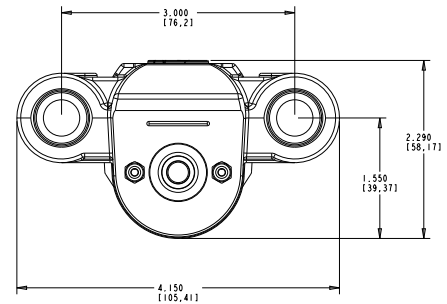


SPECIFICATIONS

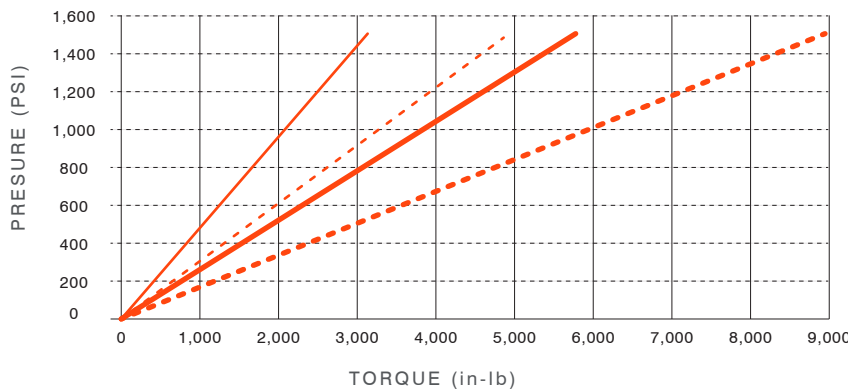
ROTOR DIAMETER	6" - 10"
ROTOR THICKNESS	.157" - .250"
LINING TYPE	Sintered, Non-Asbestos Organic, Semi-Metallic
PISTON DIAMETER	1.25"
MAX PRESSURE	1500 Psi
FLUID TYPE	Brake Fluid
BLEEDER	3:00, 9:00
FLUID INLET	0

Specifications are guidelines only and subject to change. Consult Hayes Performance Systems for specific model, part number, and assembly drawings - contact@hbpsi.com

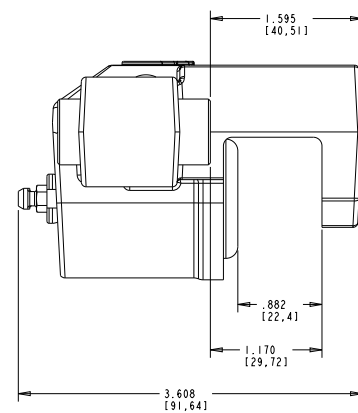
REFERENCE DIMENSIONS



TORQUE INFORMATION



- Dia = 6 in, Mu=.35
- Dia = 10 in, Mu=.35
- - - Dia = 6 in, Mu=.55
- - - Dia = 10 in, Mu=.55



hayesbrake.com | 5800 W. Donges Bay Road, Mequon, WI 53092