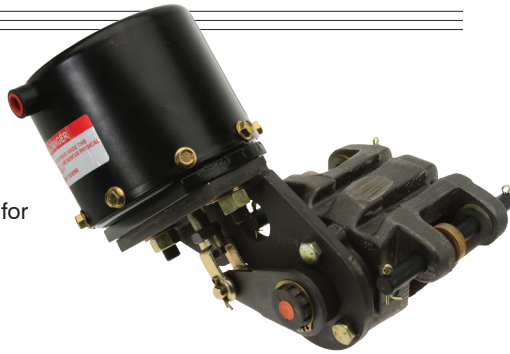


# M100SA



## FEATURES

- // Capable of 10,000 Lbs. of clamp force
- // Self adjusting for friction pad wear
- // Fully sealed internal ball ramp mechanism
- // Fully assembled, with air chamber mounted for either CW or CCW operation
- // Quick change pads, retained by mount pins
- // Fast response - capable of 100 milliseconds
- // Chamber can be positioned in 120 degree increments
- // Mechanical release using a wrench

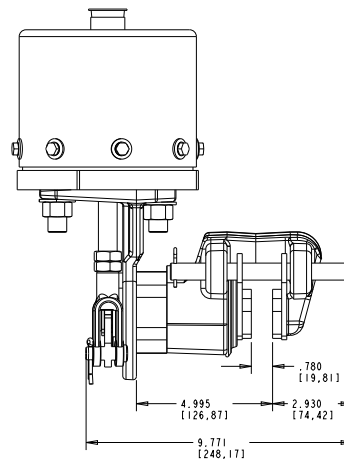
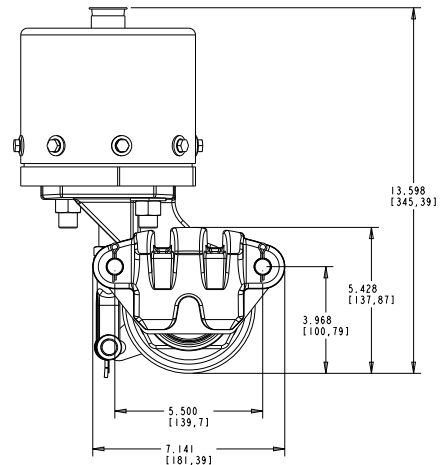


## SPECIFICATIONS

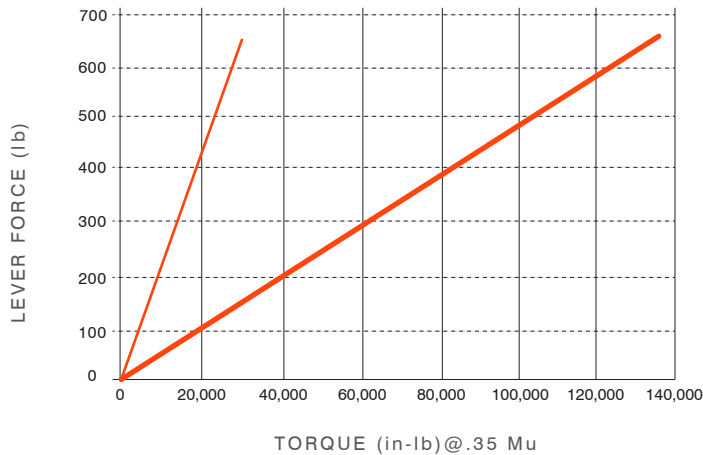
|                                 |                                |
|---------------------------------|--------------------------------|
| WEIGHT                          | 36.5 Lbs.                      |
| ROTOR DIAMETER                  | 10" - 40"                      |
| ROTOR THICKNESS                 | .375" - .750"                  |
| LINING TYPE                     | Non-Asbestos Organic, Sintered |
| TOTAL LINING AREA               | 14.8 Sq. In.                   |
| USABLE LINING THICKNESS PER PAD | .470"                          |

Specifications are guidelines only and subject to change. Consult Hayes Performance Systems for specific model, part number, and assembly drawings - contact@hbpsi.com.

## REFERENCE DIMENSIONS



## TORQUE INFORMATION



— Dia = 10 in, Lever length = 3 in  
— Dia = 40 in, Lever length = 3 in